

# FOTILE

# FOTILE

- The leader in premium Chinese kitchen appliances, with more than 2,500 patents
- Preferred by over 17 million families globally
- Raising the international standards for range hoods
- Recipient of over 48 prestigious international design awards

Contact Information:

FOTILE AMERICA LLC.

Add: 6 Campus Dr, Suite 210, Parsippany, NJ 07054

Toll Free: 888-315-0366

Web: [www.fotileglobal.com/us](http://www.fotileglobal.com/us)

Wechat: FOTILE\_global

Email: [serviceusa@fotile.com](mailto:serviceusa@fotile.com)

FOTILE Website FOTILE Wechat FOTILE YouTube



Member of HVI, the most authoritative and credible institution in North America



## FOTILE V Series

FOTILE

## Clean, Healthy Living Starts With A Clean Kitchen

*Pungent odors from smoke, grease, and cooking oils quickly tarnish even the most beautiful home. Eliminate cooking odors before they can spread with a powerful, efficient, top-of-the-line range hood.*

## Risks of Inadequate Kitchen Ventilation



### Irreversible Skin Damage/ Accelerated Aging

Even the most rigorous skin-care routine offers little defense against the long-lasting effects of exposure to smoke and grease. Without proper kitchen ventilation, airborne contaminants attack the skin, clinging to pores, causing premature wrinkling and hyperpigmentation.



### Respiratory Problems and Trouble Breathing

When exposed to high temperatures, oils and fats release the byproduct, acrolein, that commonly causes irritation. Breathing this vapor in often creates inflammation in the eyes, nose, and throat, and could even result in more serious ailments with regular exposure.



### Exposure to Airborne Carcinogens

The average kitchen routinely produces smoke and other vapors containing over 300 hazardous chemicals, including the known carcinogen, DNP. Studies have shown that homemakers in particular inhale up to 188 times more DNP when indoors (As compared to the amount of DNP inhaled when outdoors).



### Difficult to Remove Grease Stains

Without a sufficient ventilation system, grease vapors spread throughout the air, causing unpleasant odors and leaving behind stains.



### Smoke And Odor Buildup

Smoke and other cooking odors can quickly take over your kitchen, creating a dangerous environment and even setting off your smoke detector.



## FOTILE's Mission: For The Happiness Of Millions Of Families

*With the goal of eliminating dangerous kitchen smoke, FOTILE has spent over 22 years conducting in-depth studies of cooking habits worldwide. Our research has enabled us to develop advanced range hood technology, so you and your family can safely enjoy preparing delicious meals at home.*

*As a rising industry leader, FOTILE's technology has helped raise the International Electrotechnical Commission's (IEC) standard for household appliances—marking the first time in history a Chinese kitchen appliance brand guided the amendment of international standards.*

*Dedicated to producing safe, efficient appliances, FOTILE holds a total of 2,500 patents, including over 400 invention patents, as of March 2019. Our powerful R&D department continues propelling the FOTILE brand forward, as we're proud to be the #1 choice among consumers in over 20 countries.*

*As a leader in the premium kitchen appliance space, FOTILE constantly strives to deliver a high-value product that keeps your family safe.*



product  
design award



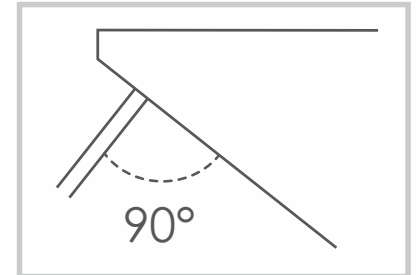
reddot

FOTILE has won a total of 26 IF Awards and 22 RedDot Awards (by Mar 2019).



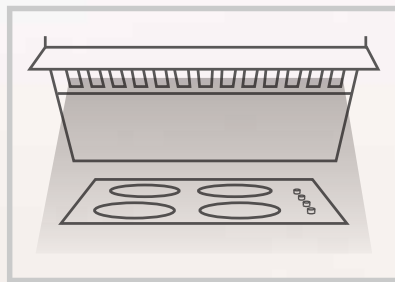
FOTILE's V Series Range Hoods Provide Thorough Ventilation

Designed to keep up with even the busiest home kitchen's needs.



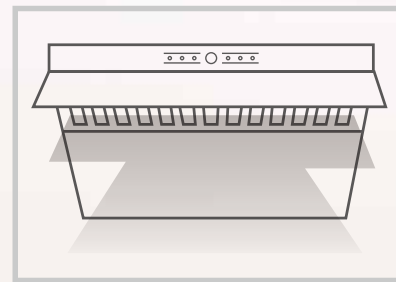
**90° Angled Baffle Plate**

Opens automatically when the range hood is turned on, guiding smoke upwards and creating a barrier to prevent you from breathing in harmful smoke and grease.



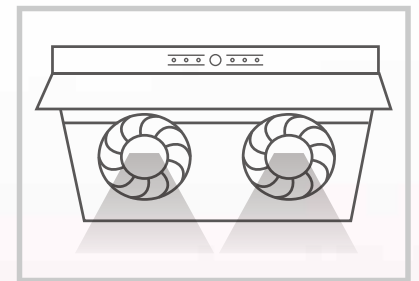
**Expansive Coverage Area**

Installed at a 45° angle, the V-Series Range Hoods provide a large ventilation area, proactively drawing in smoke and grease before they can spread. The 30-inch range hood provides coverage for an area measuring 6 square feet, while the 36-inch range hood boasts 7 square feet of coverage.



**Oversized Smoke Intake**

Spanning evenly from side to side, FOTILE's range hood effectively covers every burner for a clean, smoke-free kitchen.



**FOTILE's Proprietary Double Centrifuge Fan System**

Places the fans closer to the surface than traditional range hoods, maximizing the unit's speed and efficiency for maximum smoke extraction.

## Everything You Need In A Range Hood



### Screen Lock For Easy Cleaning

Hold the LOCK SCREEN button for 2 seconds to ensure your screen will stay in place so you can clean with a damp cloth.



### LED Lights

Easily navigate around your stove with up to 500 lx for improved visibility.



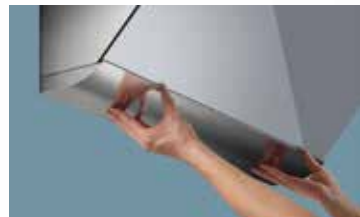
### Auto Delay

Eliminate lingering smoke and other odors with your range hood's DELAYED SHUTOFF feature, keeping the fan on for an additional 2 minutes after you're ready to leave the kitchen.



### 90° Baffle Plate

Enjoy cooking in comfort, with the hard partition separating you from unpleasant odors and smoke.



### Extra-Large Grease & Oil Cup

It helps separate oil from smoke, regardless of the amount of food you're cooking, allowing you to prepare more meals with less frequent cleaning.



### Removable, Dishwasher-Safe Filter

Cleaning your filter is quick and easy, thanks to its convenient, folding design.



# Kitchen Appliances Have Never Looked Better



FOTILE offers a variety of finishes and installation options, making it easy to design the perfect kitchen for your home. Choose from our 4" or 6" decorative panels, available in black and stainless steel. Decorative covers are also available for a sleek aesthetic in kitchens that don't have cabinets over the rangetop.

With FOTILE's extraordinary ventilation technology, your kitchen will look and smell its best.



JQG7501.G



JQG7501.G



JQG7501 (With decorative cover)



JQG7501 (with stainless steel decorative panel)



JQG7502



JQG7502.G



Member of HVI, the most authoritative and credible institution in North America



Intertek



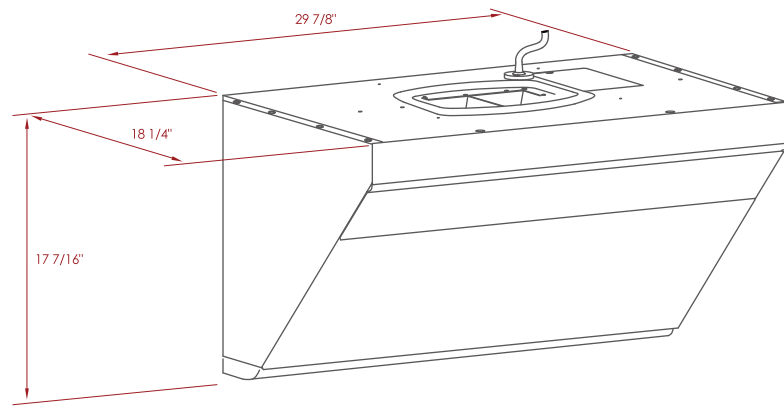
Parameters		JQG7501	JQG7501.G
Control Mode		Touch	Touch
Smoke Baffle Plate		Auto	Auto
Switch Color		/	/
Panal Color		Onyx Black	Silver Grey
Size (inch)	Width	29 7/8	29 7/8
	Depth	18 1/4	18 1/4
	Height	17 7/16-46 7/16	17 7/16-46 7/16
Oil Filter		One Folding Oil Filter	One Folding Oil Filter
Oil Cup		One Oversized Oil Cup	One Oversized Oil Cup
Time Delay		Y	Y
Screen Lock		Y	Y
Power		120V/60Hz	120V/60Hz
Noise Level		54dB	54dB
Light		3Wx2 (LED)	3Wx2 (LED)
Motor Power		256W	256W
Installation		Undercabinet/Wall mounted	Undercabinet/Wall mounted

Parameters		JQG7502	JQG7502.G	JQG9001
Control Mode		Button	Button	Touch
Smoke Baffle Plate		Always Open	Always Open	Auto
Switch Color		Black	Silver	/
Panal Color		Onyx Black	Silver Grey	Onyx Black
Size (inch)	Width	29 7/8	29 7/8	35 7/8
	Depth	18 1/4	18 1/4	18 1/4
	Height	17 7/16-46 7/16	17 7/16-46 7/16	17 7/16-46 7/16
Oil Filter		One Folding Oil Filter	One Folding Oil Filter	Two Oil Filters
Oil Cup		One Oversized Oil Cup	One Oversized Oil Cup	Two Oil Cups
Time Delay		/	/	Y
Screen Lock		/	/	Y
Power		120V/60Hz	120V/60Hz	120V/60Hz
Noise Level		54dB	54dB	54dB
Light		3Wx2 (LED)	3Wx2 (LED)	3Wx2 (LED)
Motor Power		256W	256W	256W
Installation		Undercabinet/Wall mounted	Undercabinet/Wall mounted	Undercabinet/Wall mounted

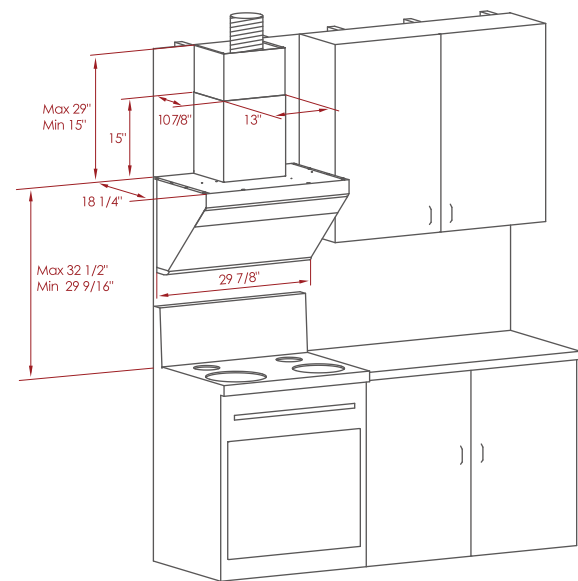


Installation Drawing

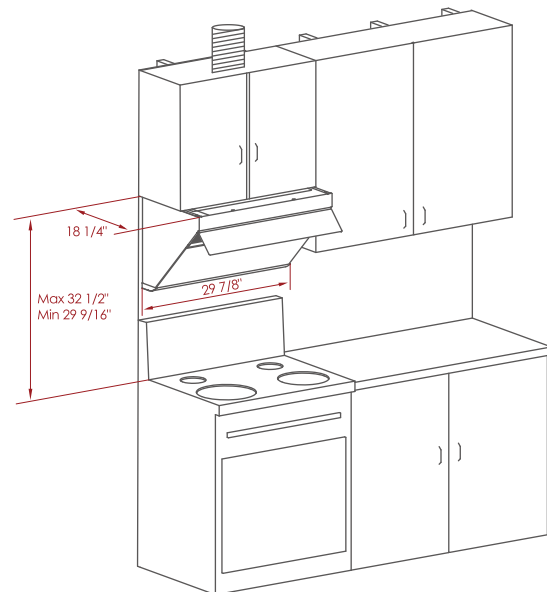
- JQG7501
- JQG7501.G
- JQG7502
- JQG7502.G



▲ Appearance size



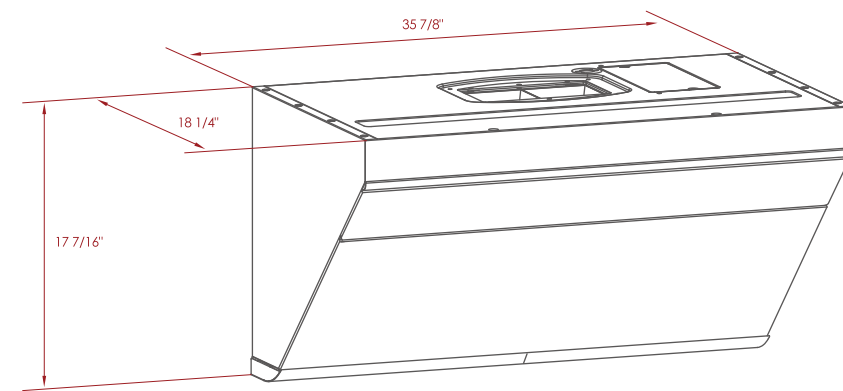
▲ Without up cabinet+Decorative cover



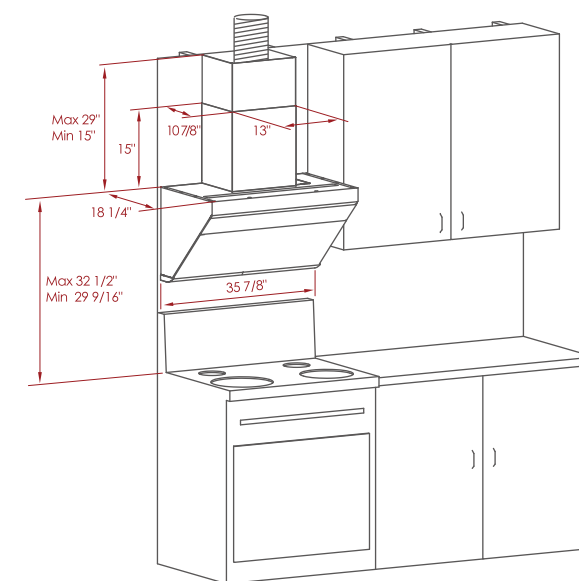
▲ With perfect up cabinet

Installation Drawing

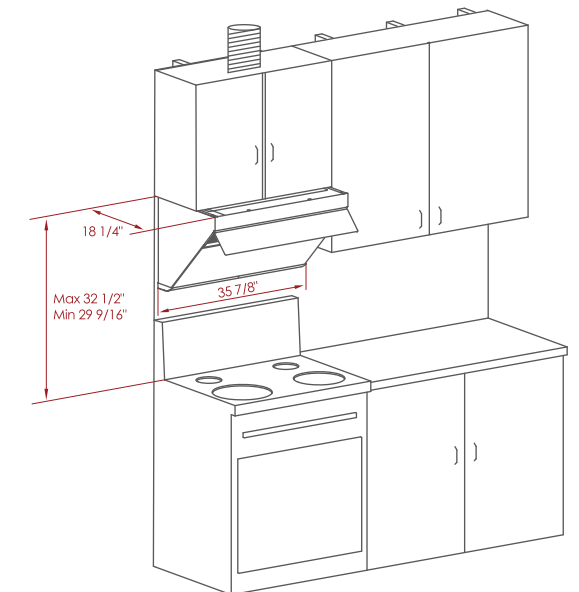
- JQG9001



▲ Appearance size



▲ Without up cabinet+Decorative cover



▲ With perfect up cabinet

Keep your kitchen and your family safe.